



US00RE44002E

(19) **United States**
(12) **Reissued Patent**
Schwindaman et al.

(10) **Patent Number:** **US RE44,002 E**
(45) **Date of Reissued Patent:** **Feb. 19, 2013**

(54) **RETRACTABLE ROOM ACTUATION ASSEMBLY FOR RECREATIONAL VEHICLE**

(75) Inventors: **Michael A. Schwindaman**, Cassopolis, MI (US); **Thomas J. Rogers**, Cassopolis, MI (US); **Michael W. Howard**, Elkhart, IN (US)

(73) Assignee: **Lippert Components Manufacturing, Inc.**, Goshen, IN (US)

(21) Appl. No.: **13/537,189**

(22) Filed: **Jun. 29, 2012**

Related U.S. Patent Documents

Reissue of:

(64) Patent No.: **8,016,343**
Issued: **Sep. 13, 2011**
Appl. No.: **12/683,332**
Filed: **Jan. 6, 2010**

U.S. Applications:

(60) Provisional application No. 61/205,551, filed on Jan. 21, 2009.

(51) **Int. Cl.**
B60R 15/00 (2006.01)

(52) **U.S. Cl.** **296/171**

(58) **Field of Classification Search** 296/171,
296/26.14, 26.12, 165, 175, 26.01, 26.09,
296/26.13

See application file for complete search history.

(56) **References Cited**

U.S. PATENT DOCUMENTS

2,744,781 A 5/1956 Black
2,877,509 A 3/1959 Klibanow
2,965,412 A 12/1960 Henderson et al.
3,137,041 A 6/1964 Mullen
5,050,927 A * 9/1991 Montanari 296/165
5,237,782 A 8/1993 Cooper

5,248,180 A 9/1993 Hussaini
5,491,933 A * 2/1996 Miller et al. 52/67
5,634,683 A * 6/1997 Young 296/165
5,706,612 A * 1/1998 Tillett 52/67
5,758,918 A * 6/1998 Schneider et al. 296/26.13
5,791,715 A * 8/1998 Nebel 296/26.13
5,800,002 A 9/1998 Tiedge et al.
5,894,698 A * 4/1999 Dewald et al. 52/67
5,915,774 A * 6/1999 Tiedge 296/26.13
5,971,471 A * 10/1999 Gardner 296/165
6,116,671 A 9/2000 Schneider
6,152,520 A 11/2000 Gardner
6,227,607 B1 * 5/2001 Dewald et al. 296/165
6,234,566 B1 5/2001 Cyr et al.
6,254,171 B1 7/2001 Young, Sr.
6,293,611 B1 * 9/2001 Schneider et al. 296/171
6,325,437 B2 * 12/2001 Hiebert et al. 296/26.01

(Continued)

FOREIGN PATENT DOCUMENTS

DE 1095137 A 12/1960

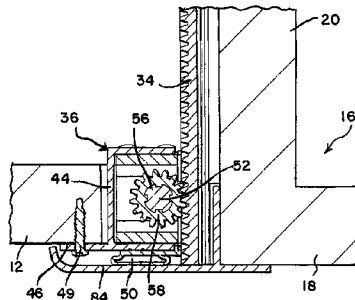
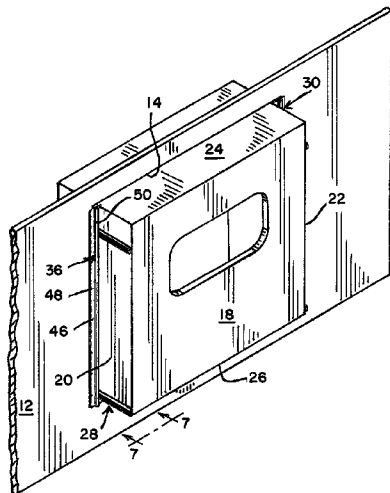
Primary Examiner — Kiran B. Patel

(74) *Attorney, Agent, or Firm* — Barnes & Thornburg LLP

(57) **ABSTRACT**

A slide-out or retractable room for a mobile living quarters, such as a recreational vehicle, is provided with actuating assemblies mounted on opposite side walls of the slide-out room and the adjacent wall of the main living area. The actuating assemblies include a pair of parallel gear racks mounted on the side wall, which are engaged by pinions rotated by torque shafts mounted on the main living quarters. Each torque shaft is rotated by a separate motor. A roller engages a bearing surface on the lower portion of the gear racks. Accordingly, the slide-out room is extended and retracted by rotating the torque shafts to cause the gear racks and the attached slide-out room to extend and retract. The weight of the slide-out room is supported by the rollers, thereby supporting the slide-out room off of the floor of the main living quarters as it extends and retracts. A synchronizing control operates the motors.

17 Claims, 7 Drawing Sheets



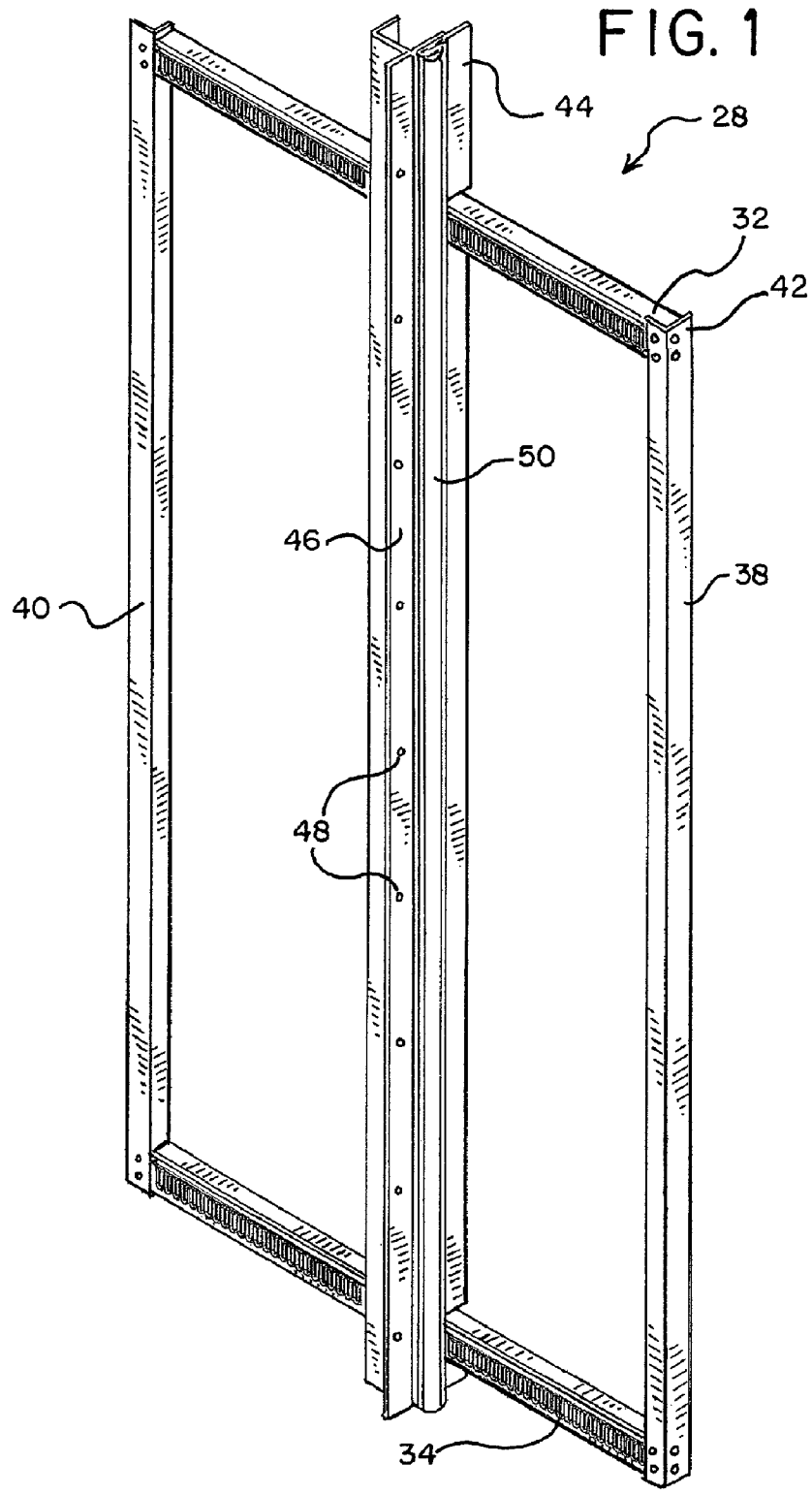
US RE44,002 E

Page 2

U.S. PATENT DOCUMENTS

6,345,854	B1	2/2002	McManus				
6,415,675	B1 *	7/2002	Schneider et al.	74/411.5			
6,422,628	B1	7/2002	Bortelli				
6,454,336	B1 *	9/2002	Nye et al.	296/26.13			
6,471,275	B1	10/2002	Kunz et al.				
6,494,518	B2 *	12/2002	Kreil et al.	296/26.01			
6,568,734	B2	5/2003	Buls et al.				
6,619,713	B2 *	9/2003	Eichhorn	296/26.01			
6,619,714	B2 *	9/2003	Schneider et al.	296/26.13			
6,696,813	B2	2/2004	McManus et al.				
6,729,670	B1	5/2004	Buls et al.				
6,796,590	B2 *	9/2004	Schneider	296/26.13			
6,896,307	B2 *	5/2005	Nye et al.	296/26.01			
6,905,154	B1	6/2005	Buls et al.				
6,976,721	B2 *	12/2005	Rasmussen	296/26.14			
7,052,065	B2 *	5/2006	Rasmussen	296/26.01			
7,150,483	B2 *	12/2006	Rasmussen	296/26.14			
7,234,747	B2 *	6/2007	Rasmussen	296/26.01			
7,258,389	B2 *	8/2007	Franzini	296/156			
7,374,218	B2 *	5/2008	Schneider	296/26.01			
7,540,549	B2 *	6/2009	Revelino et al.	296/26.01			
7,607,365	B1 *	10/2009	Courser	74/89.11			
7,871,114	B2 *	1/2011	Schultz et al.	296/26.14			
2002/0084664	A1 *	7/2002	McManus et al.	296/26.13			
2004/0094983	A1	5/2004	Bortelli				
2005/0230989	A1 *	10/2005	Nebel	296/26.01			
2010/0066025	A1 *	3/2010	Kreil	277/315			

* cited by examiner



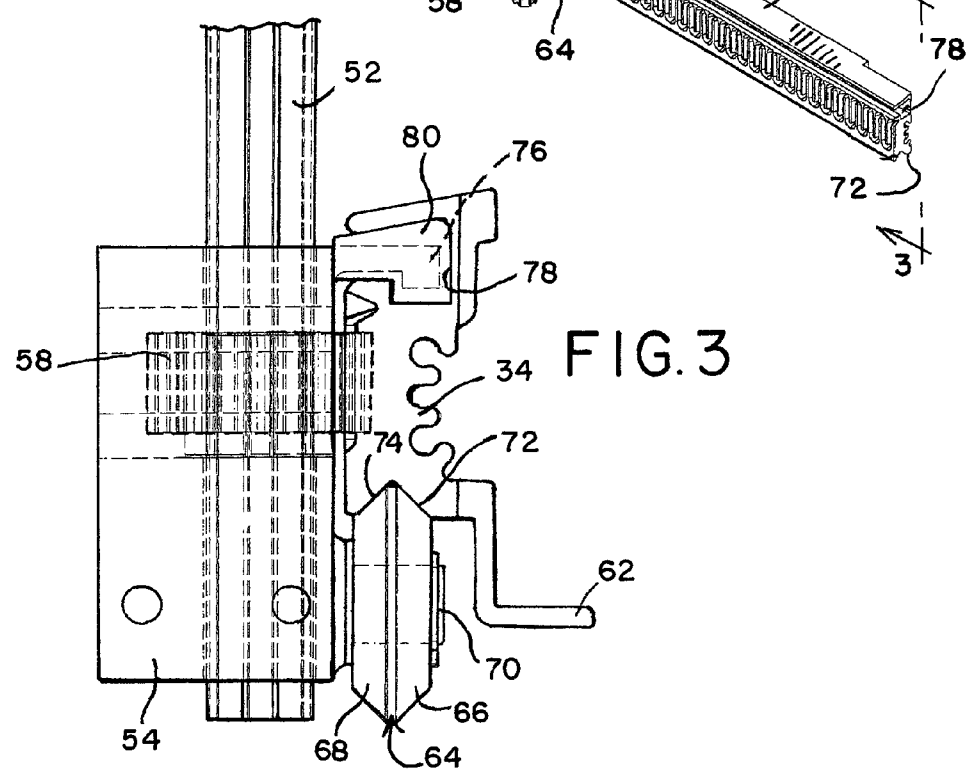
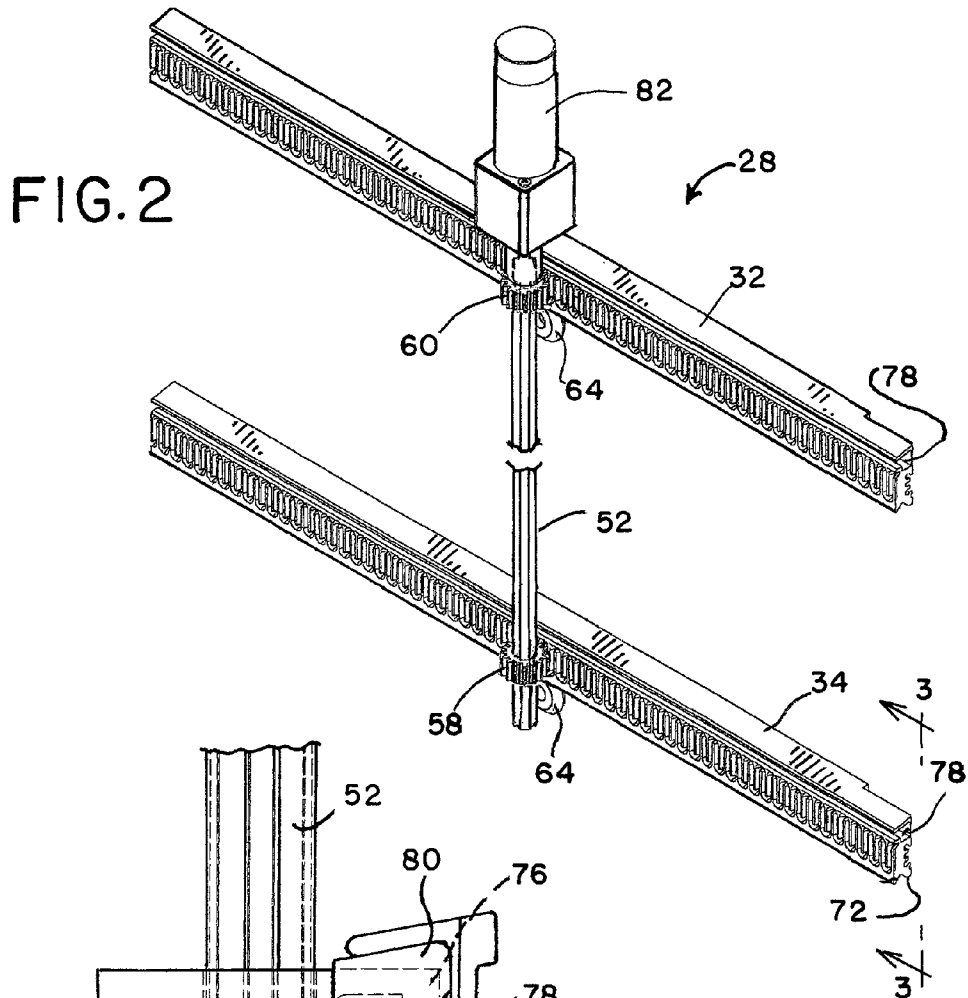


FIG. 2

FIG. 3

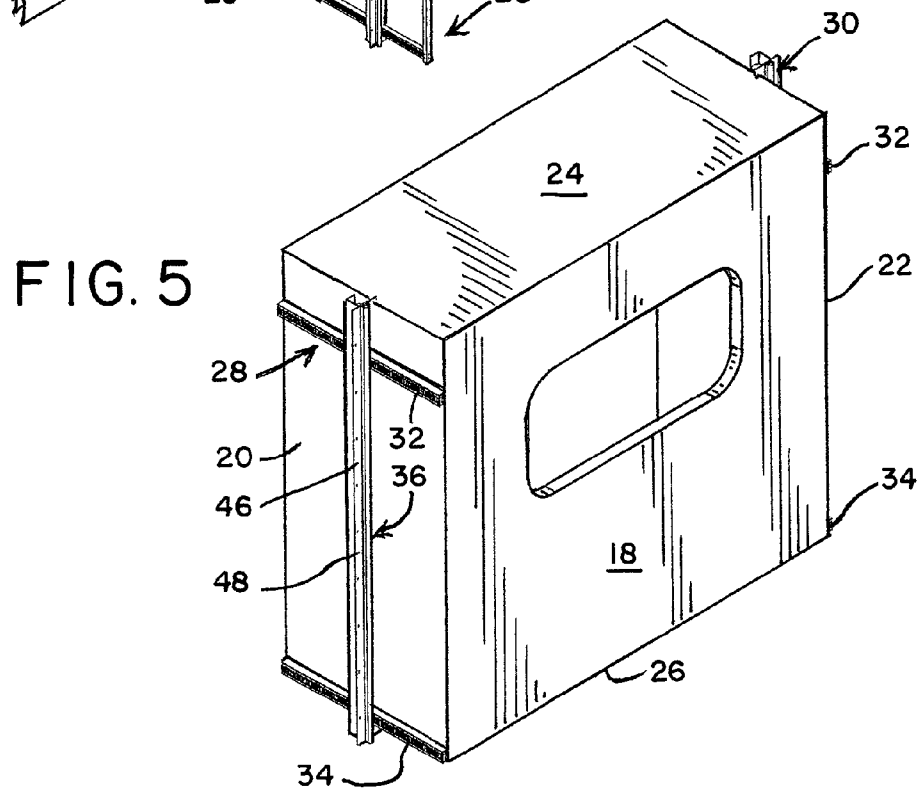
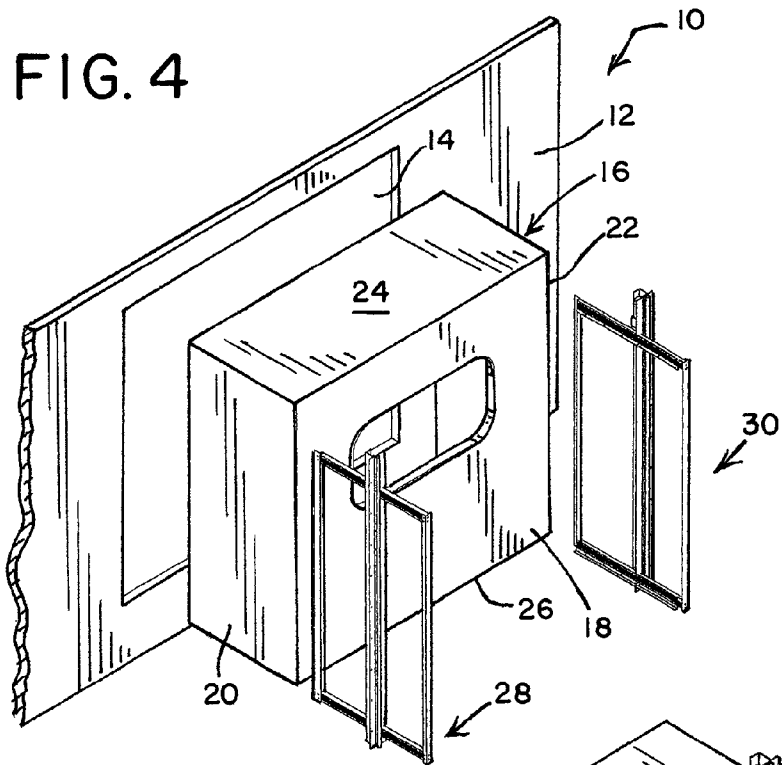


FIG. 6

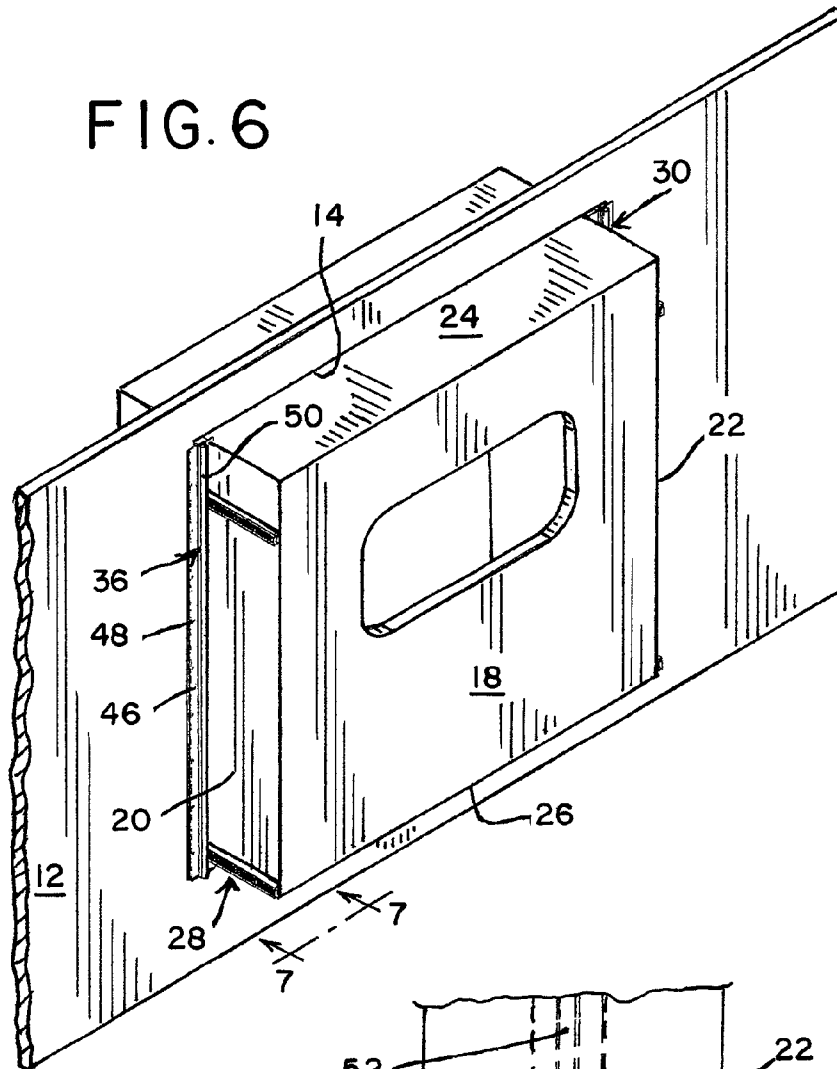
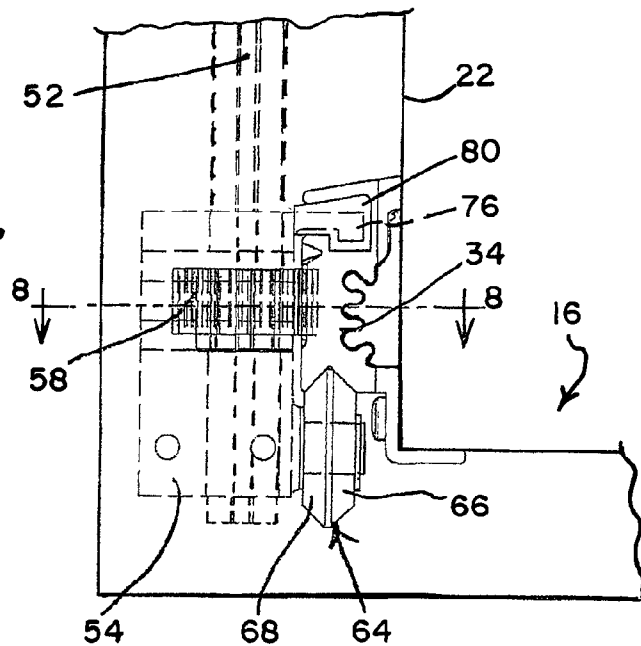


FIG. 7



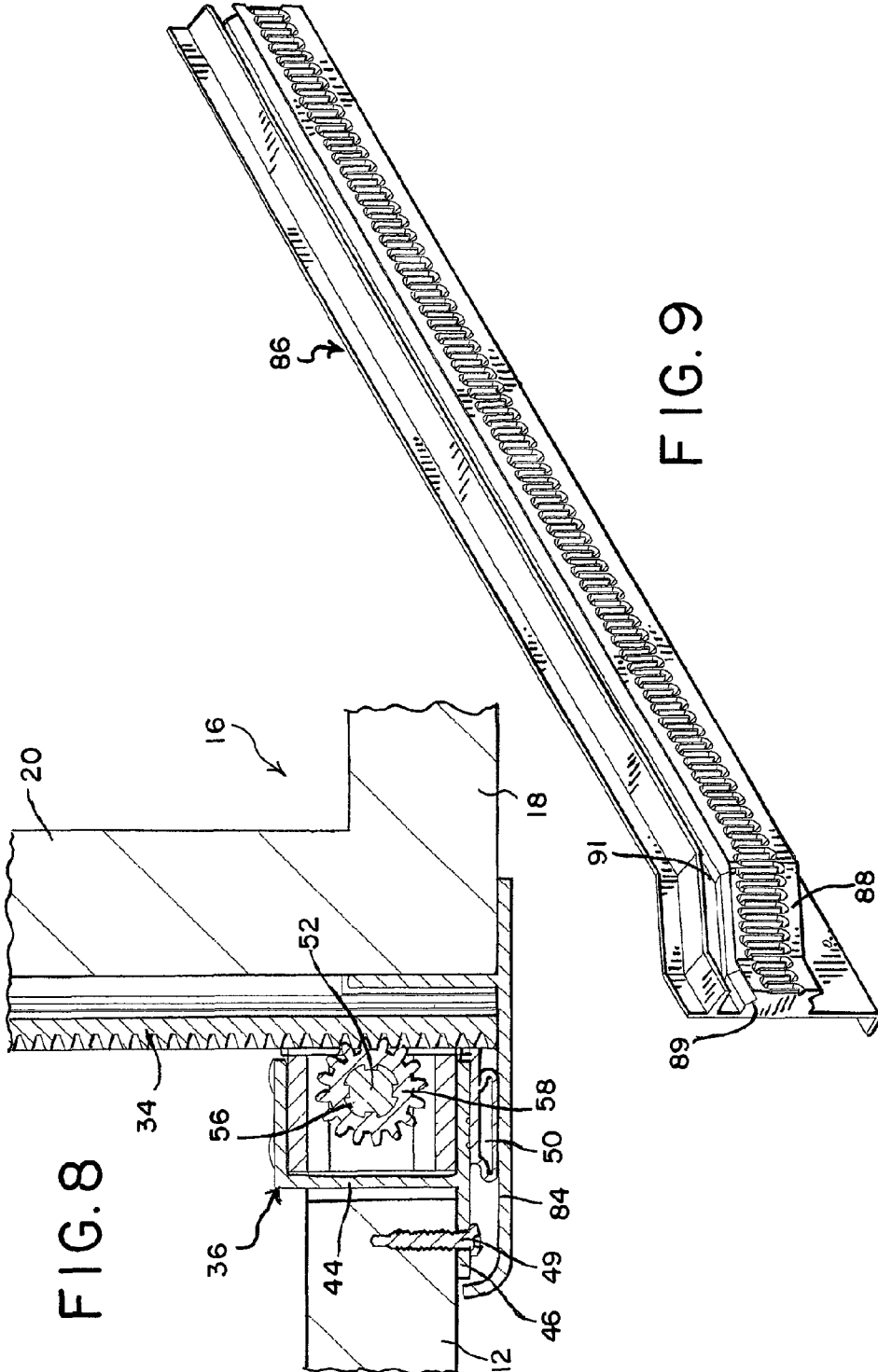


FIG. 8

FIG. 9

FIG. 10

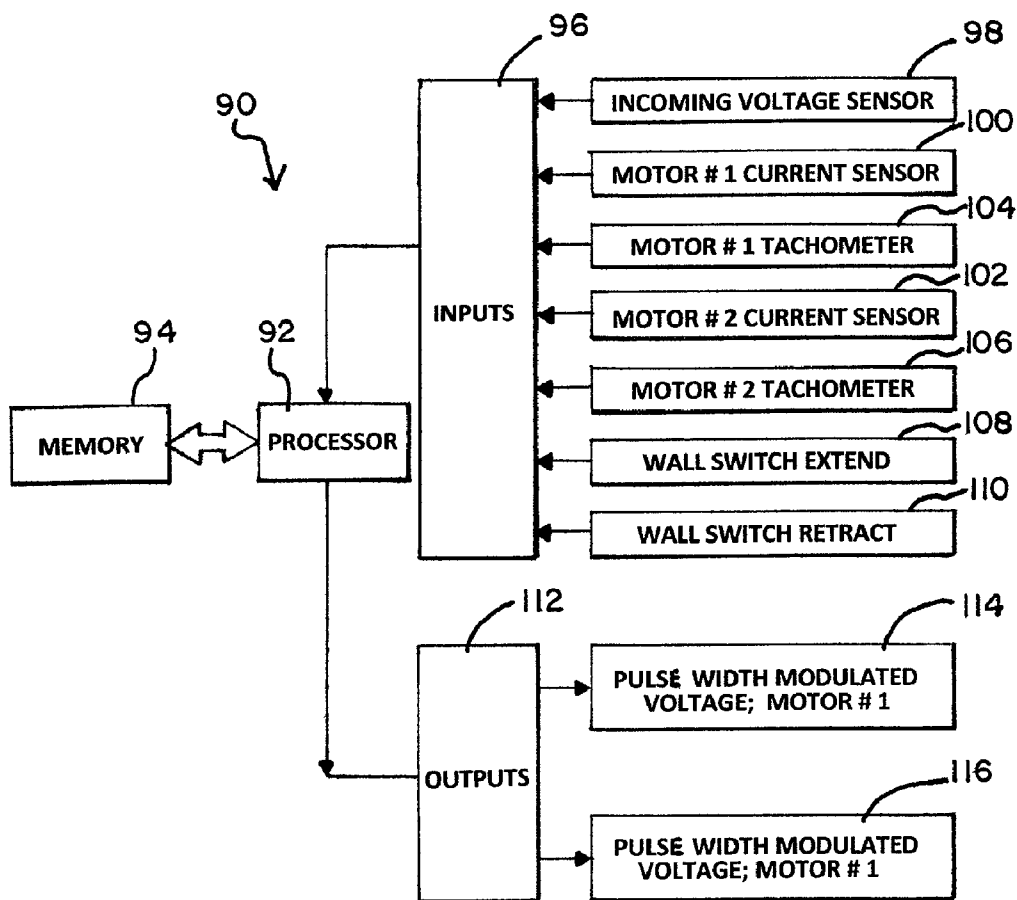
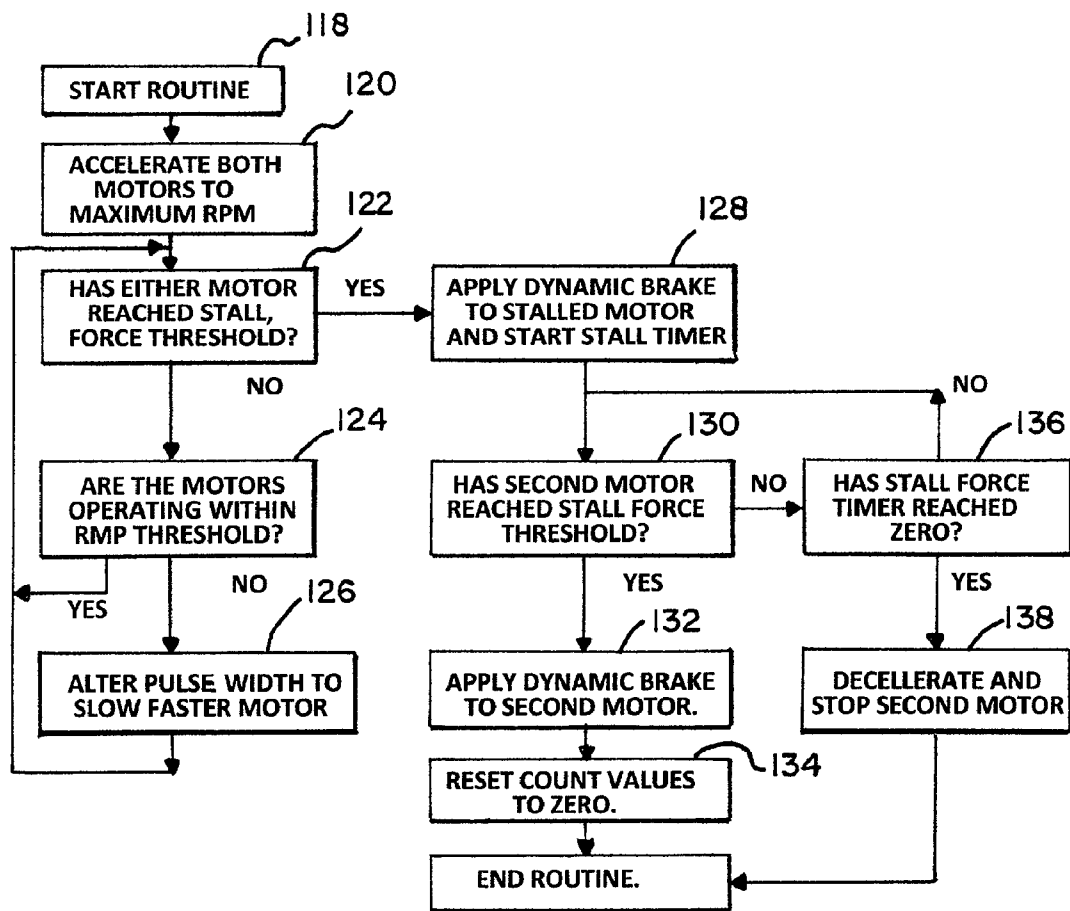


FIG. 11



RETRACTABLE ROOM ACTUATION ASSEMBLY FOR RECREATIONAL VEHICLE

Matter enclosed in heavy brackets [] appears in the original patent but forms no part of this reissue specification; matter printed in italics indicates the additions made by reissue.

CROSS REFERENCE TO RELATED APPLICATIONS

This application claims domestic priority based upon U.S. Provisional Patent Application Ser. No. 61/205,551, filed Jan. 21, 2009, the disclosure of which is hereby incorporated by reference.

BACKGROUND OF THE INVENTION

This invention relates to a slide-out or retractable room for mobile living quarters, such as a recreation vehicle.

Recreational vehicles, such as motor homes, fifth-wheel trailers, and travel trailers may be provided with a retractable or slide-out room for increasing the living space of the vehicle. The retractable or slide-out room is extended for use when the vehicle is parked and is retracted into the main living area of the vehicle when the vehicle is to be moved. Existing retractable or slide-out rooms can be time-consuming and difficult to install. Frequently, the operating mechanisms consist of many separate components that must be individually installed, connected and adjusted by highly-trained employees when the unit is assembled. After the vehicle is put into service, adjustments by the vehicle owner are often necessary. Furthermore, existing slide-out rooms require substantial space for mounting large electrical motors and hydraulic units that require the construction of expensive covers and thus reduce the overall space inside the vehicle. Such slide-out or retractable rooms are generally moved in and out of the vehicle across the floor of the main living area. Because the slide-out or retractable room is exposed to weather when extended, extension and retraction of the slide-out room causes staining and wear on the interior floor of the vehicle.

Generally, the physical size of the operating mechanism or slide-out room is large and bulky and somehow has to be hidden. Concealing the operating mechanism requires space either inside the vehicle, which lessens the living space, or under the vehicle, which lessens room for the mechanical systems such as storage tanks and axles. The object of any slide-out room is to add space, so a need exists for a slide mechanism that requires no interior or exterior space.

Generally, existing mechanisms for extending and retracting slide-out rooms employ powerful hydraulic or electro-mechanical systems that have a fixed amount of working stroke. When actuated, these powerful devices will push or pull the slide room until they run out of useable stroke. When obstructions, such as trees on the exterior or furniture and suitcases on the interior, are encountered before the wholly extended or wholly retracted position is attained, the actuation mechanism has more than enough power to overcome the obstruction and keep going. This can destroy the slide-out room, which is generally made from light weight wood or aluminum tube. Sadly, sometimes human beings are encountered, often resulting in injury or death. Therefore, it is desirable that obstructions be sensed and the actuation mechanism stopped,

Tolerances needed to construct slide-out rooms are large. Therefore, the side walls of the same slide-out room rarely

have the same dimensions. When one side wall is deeper than the other side wall, only the shorter side wall can be adjusted to properly seal against the weather. An example is a slide-room that has one side wall built incrementally longer than the other side wall. With a fixed stroke equal to the length of the shorter side wall, the longer side is unable to attain full stroke and properly seal. This permits moisture to enter the unit and cause extensive damage. Therefore, a need exists for a slide room mechanism that can independently sense and automatically adjust stroke to a sealed position on each side of the slide room.

All known prior art for slide room mechanisms attach the actuating mechanism to the unit. Sometimes the mechanism is mounted to the floor of the unit, or to the side wall, chassis or frame of the unit. After the actuating mechanism is mounted on the unit, the slide-out room is attached. Due to natural manufacturing tolerances, the opening to accept the slide-out room typically varies from unit to unit in both height and width, while the slide-out room itself also varies in height and width. However, the seal used to keep weather out of the unit is manufactured to a set dimension. Numerous adjustments up and down and left and right are required to center the slide-out room to the opening in the unit in order to provide a weather-tight seal when the room is extended and retracted. As the unit is used, normal road vibrations tend to cause the slide-out room to come out of adjustment, allowing moisture to enter the interior of the vehicle causing extensive damage. Therefore, a need exists for a slide room mechanism that requires no mechanical adjustment, both at installation and as it is used.

SUMMARY OF THE INVENTION

According to the present invention, actuating mechanisms are installed on opposite side walls of the slide-out room and the adjoining portions of the wall of the main living area through which the slide-out room extends and retracts. Each of the actuating assemblies include a pair of pinion gears mounted on a rotatable torque shaft, which are supported for rotation on the main living quarters adjacent to the aperture in the wall of the main living quarters through which the slide-out room extends and retracts. The two pinion gears rotate with a common shaft, and are meshed with the teeth of corresponding gear racks which are mounted on the adjacent side wall of the slide-out room. Rollers engage corresponding bearing surfaces defined on the racks to support the slide-out room as it extends and retracts and also to assure that the pinions remain meshed with the racks. In an optional embodiment of the invention, racks are provided with an inclined section, which permits the room to drop as it approaches the extended position to bring the floor of the slide-out room flush with the floor of the main living quarters, thereby eliminating the unsightly and inconvenient step-up between the slide-out room and the main living quarters.

BRIEF DESCRIPTION OF THE DRAWINGS

FIG. 1 is a view in perspective of the left hand actuating assembly of the slide-out room as it is shipped from the factory for installation on the slide-out room; the right hand assembly being a mirror image thereof;

FIG. 2 is a view in perspective of a portion of the actuating mechanism illustrated in FIG. 1, with the bearing blocks and cover eliminated to show the internal torque shaft and pinions;

FIG. 3 is a view taken substantially along line 3-3 of FIG. 2;

3

FIG. 4 is an exploded view in perspective of a recreational vehicle including a slide-out room, with actuating assemblies of the present invention shown exploded off of the sides of the slide-out room;

FIG. 5 is a view in perspective of a slide-out room with actuating assemblies made according to the present invention installed thereon;

FIG. 6 is a view similar to FIG. 5, but illustrating the manner in which the slide-out room slides into the main living quarters and the manner in which the actuating assemblies are attached to the main living quarters;

FIG. 7 is a view taken substantially along line 7-7 of FIG. 6;

FIG. 8 is a view taken substantially along line 8-8 of FIG. 7;

FIG. 9 is a view in perspective of a rack used in an alternate embodiment of the invention;

FIG. 10 is a schematic illustration of the control system used to control system used to control the actuating assemblies used in the present invention; and

FIG. 11 is a detailed schematic of the control logic used in the control system illustrated in FIG. 10.

DETAILED DESCRIPTION OF INVENTION

Referring now to the drawings, a mobile living quarters, such as a recreational vehicle, is indicated generally at 10, and includes a side wall 12 (the remaining side walls of the vehicle 10 not being shown). Side wall 12 defines an aperture 14 through which a slide-out room generally indicated by the number 16 extends and retracts. Slide-out room 16 includes a front wall 18, two side walls 20, 22 extending from the front wall 18, a ceiling 24 and a floor 26.

An actuating mechanism comprises actuation assemblies 28, 30 that are mounted on the side walls 20, 22 respectively, the actuation assembly 30 being a mirror image of the actuation assembly 28. As illustrated in FIGS. 1 and 4, each actuation assembly includes an upper rack or engagement member 32, a lower rack or engagement member 34, and a cover 36 defining a column which covers the mechanism that drives the rack 32, 34. Each of the racks or engagement members 32, 34 includes a plurality of slots, as shown. Although rack and pinion actuators are shown, other equivalent interengaging, relatively movable members, such as welded chains and sprockets, a cog and stamping, timing belt and pulleys and other similar structures may be used; furthermore, although two rack and pinion assemblies are illustrated for each of the assemblies 28, 30, any number of assemblies may be used as necessary or convenient. Assembly straps 38, 40 are illustrated in FIGS. 1 and 4; these assembly straps are temporary to assure that the alignment of the racks 32, 34 remain parallel to each other. Assembly strap 38 includes a projecting flange 42 that projects beyond the racks 32, 34 and is adapted to engage front wall 18 of the slide-out room 16 to thereby locate actuating assembly 28 laterally with respect to the slide-out room 16. As will hereinafter be described, a bearing block covered by the cover of column 36 engages the floor 26 of the slide-out room when the actuating assembly 28 is installed to thereby locate the actuating assembly vertically with respect to the slide-out room 16. Accordingly, the actuating assemblies 28, 30 are fully assembled when they are manufactured and shipped to the assembly plant for attachment to the slide-out room 16 and to the main living quarters. Accordingly, no separate components are required, and assemblies 28, 30 are inherently self-locating. Once the actuating assemblies 28, 30 have been installed, the assembly straps 38, 40 are removed and discarded.

4

The column or cover 36 includes a generally u-shaped portion 44 that extends around the actuating components for the racks 32, 34, as will hereinafter be described. A flange 46 projects from the u-shaped portion 44 and is provided with apertures 48, which receive fasteners 49 used to attach the actuating assemblies to the side wall 12 adjacent to the aperture 14. In addition to concealing and protecting the actuation components, the column 36 trims up the edges of the aperture 14 and also carries a vertically extending bulb seal 50, which seals the unit when the retractable room is fully retracted into the main living area.

A drive member in the form of a splined torque shaft 52 extends substantially vertically in the cover of column 36 and is rotatably supported by a lower bearing block 54 and an upper bearing block (not shown). The upper and lower bearing blocks have been omitted from FIG. 2 for clarity and are substantially identical, so that only lower bearing block 54 will be described in detail. Bearing block 54 has been illustrated in phantom in FIGS. 3 and 7 for clarity. Torque shaft 52 is defined by circumferentially spaced splines 56, which are received in corresponding grooves in pinions 58, 60, the pinions 58, 60 comprising engagement features which mesh with the gear racks 32, 34, respectively. Upper and lower gear racks 32, 34 are substantially identical, except that the lower gear rack 34 includes a flange 62 which projects therefrom and engages the lower side of the floor 26 of the slide-out room 16 to thereby locate the actuation assembly 28 vertically with respect thereto.

A roller 64, having a substantially v-shaped cross section to define bearing faces 66, 68, is rotatably mounted on a spindle 70 projecting from bearing block 54. Rollers of other complex shapes may be used instead of v-shaped rollers illustrated, it only being necessary that the rollers be shaped to control the relative positions of the rack and the roller, and to permit the slide-out room to move relative to the unit. The racks 32, 34 are each provided with a horizontally extending bearing surface defined by angled bearing faces 72, 74. The bearing faces will, of course, be shaped complementary to the cross section of the roller. A hooked extension extends from the bearing block 54 into a longitudinally extending groove 78 (FIG. 2) of the rack 34. Hooked extension 76 is covered by a low friction, plastic (Delrin) shoe 80 which rides in the groove 78 as the slide-out room extends and retracts. The shoe 80 and groove 78 maintain engagement of the roller 64 with the rack 34 and maintain engagement of the rack with the pinion by maintaining a fixed predetermined distance therebetween. As described above, a bulb seal 50 extends along u-shaped portion 44 of the column 36. As can be seen in FIG. 8, when the slide-out room 16 is in the fully retracted position, an extension 84 carried by the slide-out room 16 engages bulb seal 50, compressing the latter, to assure a weather-tight seal protecting the pinions, torque shafts, and motor from the environment.

An electric motor 82 is supported on the upper most end of the torque shaft 52 for rotating the latter. The motor 82 is a bi-directional motor, and rotates the shaft in one direction to extend the slide-out room from the main living quarters, and in the opposite direction to retract the slide-out into the main living quarters. The actuation assembly 30 on the opposite side wall 22 is a mirror image of the actuation assembly 28. Another motor identical to the motor 83 operates actuation assembly 30. Both motors are driven by a synchronizing drive control 90, as illustrated in FIG. 10 and FIG. 11, so that both the actuating assemblies extend and retract at substantially the same rate, as will hereinafter be described. Alternatively,

a transverse shaft extending over the slide-out room and connected to both torque shafts **52** by a gear drive may be used with only one motor.

Referring now to FIG. **10**, synchronizing drive control **90** includes a processor **92**, which transmits data to, and receives data from, a memory **94**. Input bus **96** for processor **92** receives a voltage input from voltage sensor **98**, current sensor inputs **100** and **102**, which input signals measuring current draw of the corresponding motor, and tachometers or speed sensor inputs **104**, **106**, which are connected to speed sensors for each of the motors and which generate pulse trains that are proportional to the rotational speed of the motors. Other inputs include **108** and **110**, which transmit a signal from a wall switch within the unit which is operated when the user desires to extend or retract the slide-out room. The effect of the inputs **108** and **110** is to reverse the direction of rotation of the motors, but operation of the system **90** is otherwise the same if the slide-out room is either extended or retracted. Processor **92** includes a pulse width modulator which generates pulse width modulated voltage signals which are transmitted to the motors through output bus **112**, as indicated at **114** and **116**.

Referring now to FIG. **11**, when the user operates the wall switch to either extend or retract the slide-out room, processor **92** responds by starting the control routine, as indicated at **118**. Both motors are accelerated to their maximum speed, as indicated at **120**, it being noted that the maximum speed of the motors may be different (due, for example, to differences in weight carried on different sides of the slide-out room). A test is made, as indicated at **122**, to determine if either motor has reached the stall threshold. This is done by comparing the current draw of each motor, as sensed by sensor inputs **100** and **102**. The current draw of the motors increases substantially when the motor stalls out at the end of the stroke of the slide-out room (such as when it attains the fully extended or fully retracted position, or when the slide-out room encounters an obstruction requiring greatly increased power). If both motors are operating below the stall threshold, a check is made to determine if the motors are operating within a predetermined speed range of one another, as indicated at **124**. If the motors are operating outside of the speed range, the pulse width of the voltage signal to the faster motor is altered to slow the faster motor to within the speed range, as indicated at **126**.

If the test at **122** indicates that one of the motors has reached the stall threshold, the stalled motor is dynamically braked, as indicated at **128** (by switching terminals of the motor together), and a stall timer is started. As indicated at **130**, the current draw of the other motor is then tested to determine its stall threshold has been reached. If the stall threshold of the second motor has been reached, the second motor is braked (as indicated at **132**), the values of the counts from the motor speed sensors stored in memory are reset to zero (as indicated at **134**), and the routine is ended. If the test made at **130** indicates the second motor has not yet stalled out, a test is made at **136** to determine if the stall timer has timed out. If the stall timer has timed out, the other motor is stopped (as indicated at **138**), whereupon the routine is ended. By continuing to operate the motor not reaching the stall threshold after the first motor reaching the stall threshold has been stopped, both sides of the slide-out room are independently brought into engagement with their corresponding bulb seals **50**, thus assuring sealing completely around the slide-out room. The stall force timer assures that one motor will not be operated longer than a predetermined time period after the other motor has stalled, so that if the stalling is caused by one side of the slide-out room striking an obstruction, the motor

actuating the other side will not operate indefinitely, or if the clearances across the slide-out room are sufficiently different that both sides of the slide-out room cannot be sealed, the system will not be operated indefinitely.

In operation, when the user desires to extend the slide-out room **16**, the motors **82** are caused to turn in a direction turning the pinions **58**, **60** to cause the racks, due to their engagement therewith, to be driven outwardly with respect to the main living quarters, thereby carrying the slide-out room with the rack. Rollers **64**, due to their engagement with the rack **34**, carry the weight of the slide-out room and maintain the floor **26** of the slide-out room raised above the floor of the main living quarters. Accordingly, damage to the floor of the main living quarters, common in the prior arts when slide-out rooms are extended or retracted, is avoided. Since, as described above, actuating assemblies **28**, **30** are shipped as a unit to the manufacturing plant, assembly and adjustment of separate components is not necessary. The slide-out room **16** is retracted into the main living quarters by causing the motor **82** to turn in the reverse direction, thereby moving the racks **32**, **34** into the main living quarters, carrying the slide-out room **16** with them.

As discussed above, prior art slide-out rooms require multiple adjustments to center the slide-out room in the opening in the unit in order to provide a weather-tight seal when the room is extended and retracted, and require periodic adjustments to re-center the slide-out room to compensate for normal road vibrations. In the present invention, the actuating assemblies **28**, **30** are located vertically on their corresponding side walls **20**, **22** by engagement of the flange **62** with the floor **26**, and are located horizontally on their corresponding side walls **20**, **22** by the flange **42** of the assembly straps **38**, **40**. The clearance between the slide-out room and the side of the aperture **14** is set by attachment of flange **62** to the side wall **12**. Since the bulb seal **50** is attached to the column **36** when the actuating assemblies **28**, **30** are manufactured and proper positioning of the actuating assemblies **28**, **30** on their corresponding side walls is assured, no adjustment of the slide-out room after installation on the unit is required or possible.

Slide-out rooms tend to tip downward relative to the unit when extended, and this tipping must be resisted, requiring heavier and more powerful actuators than would otherwise be necessary. In the present invention, tipping forces are transmitted through upper rack **32** and pinion **60** to apply a twisting force to the torque shaft **52**, which is resisted by the torsional stiffness of the torque shaft **52**. The twisting forces are transmitted through the torque shaft **52** to the lower pinion **58** and the lower rack **34**, to thereby apply a countervailing force to the lower portion of the slide-out room, thereby tending to right the slide-out room. Accordingly, the power required of the motor **82** remains relatively small compared to prior art actuating mechanisms.

Referring now to FIG. **9**, a modified rack **86** is provided with an upwardly inclining portion **88**. The operation of the unit equipped with the inclined rack **86** is the same as in the preferred embodiment, except that when the pinion travels along the inclined section **88** the slide-out room is allowed to drop gradually, thereby bringing the floor of the slide-out room into registry with the floor of the main living quarters. The pinions are allowed axial movement along the torque shaft, thereby permitting the pinions to remain in driving engagement with the rack teeth after the inclined section **88** is reached. Instead of the hooked extension **76** and shoe **80**, the unit using the inclined rack **86** is provided with a secondary roller having a v-shaped cross section (not shown). This secondary roller is much smaller than the roller **64**, and engages

bearing surfaces **89** in the groove **91**, which extends longitudinally just above the tooth portion of the rack. The function of the secondary roller is the same as the hooked extension **76** and shoe **80**.

This invention is not limited to the details above, but may be modified within the scope of the following claims.

What is claimed is:

1. An actuating mechanism for living quarters having a main living area and a retractable room movable relative to the main living area between a retracted position retracted within the main living area and an extended position extended from the main living area to provide an auxiliary living area, said retractable room movable through an aperture in a sidewall of said living quarters, and an actuating mechanism for moving said retractable room between the extended and retracted positions, said actuating mechanism comprising:

a first pair of engagement members fixed relative to said retractable room and moving with said retractable room, each said engagement member having a plurality of slots;

a pair of drive members, each drive member having engagement features for engaging a corresponding engagement member, said drive members being driven together to move said retractable room between its retracted and extended positions;

said drive members and engagement members being maintained at a constant distance between each other regardless of changes in spacing between said retractable room and said aperture, and

said drive members being mounted for lateral movement within an elongate column on said sidewall at said aperture.

2. An actuating mechanism as claimed in claim **1**, wherein said [engagement] *actuating* mechanism includes a roller held at a fixed predetermined distance from one said drive member, said roller having rolling engagement with a complementary bearing surface carried on said retractable room, said fixed predetermined distance between said roller and said bearing surface on said retractable room preventing movement of said drive members away from said engagement member.

3. An actuating mechanism as claimed in claim **1**, wherein said [engagement] *actuating* mechanism includes a pair of rollers each being held at a predetermined distance from a corresponding drive member, each said roller in rolling engagement with a corresponding complementary bearing surface carried on said retractable room so that said roller is restrained from lateral movement relative to said complementary bearing surface, said rollers restraining lateral movement of said drive members away from their corresponding engagement members.

4. An actuating mechanism as claimed in claim **2**, wherein said complementary bearing surfaces carried on said retractable room are included on said engagement members.

5. An actuation mechanism as claimed in claim **4**, including a means for ensuring said engagement members are substantially parallel.

6. An actuation mechanism as claimed in claim **4**, wherein said rollers support the weight of said retractable room.

7. An actuation mechanism as claimed in claim **1**, wherein said drive members are gears rotating together and fixed from rotation relative to each other on a common shaft.

8. An actuation mechanism as claimed in claim **7**, wherein said engagement members are racks having a plurality of slots for interengaging teeth on said gears.

9. An actuating mechanism as claimed in claim **8**, wherein said [engagement] *actuating* mechanism includes an upper engagement member for ensuring said rollers remain in contact with said bearing surfaces.

10. An actuating mechanism as claimed in claim **8**, wherein said [engagement] *actuating* mechanism includes a pair of rollers each being held at a predetermined distance from a corresponding gear, each said roller in rolling engagement with a corresponding complementary bearing surface carried on said retractable room so that said roller is restrained from lateral movement relative to said complementary bearing surface, said rollers restraining lateral movement of said drive members away from their corresponding engagement members.

11. An actuating mechanism as claimed in claim **10**, wherein said complementary bearing surfaces carried on said retractable room are included on said racks.

12. An actuation mechanism as claimed in claim **11**, wherein said rollers support the weight of said retractable room.

13. An actuation mechanism as claimed in claim **12**, wherein said gears, common shaft, and said rollers are laterally movable together and restrained from longitudinal movement within said elongate column.

14. An actuation mechanism as claimed in claim **12**, wherein said elongate column includes a mounting flange for mounting to the sidewall of a vehicle.

15. An actuation mechanism as claimed in claim **7**, wherein the weight of said room is supported on rollers.

16. An actuation mechanism as claimed in claim **1**, including a means for ensuring said engagement members are substantially parallel.

17. An actuation mechanism as claimed in claim **1**, wherein said engagement members are racks, said drive members are gears rotating together and fixed from rotation relative to each other on a common shaft, said gears being slidable on said shaft to maintain engagement with their corresponding racks said gears follow the inclined section of said rack.